

# SUMMIT

## SUP-012



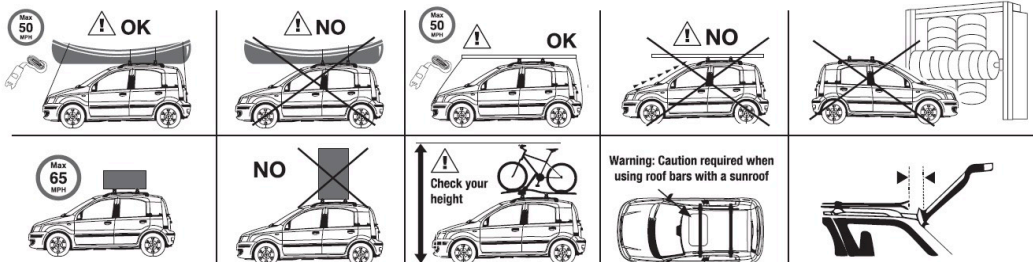
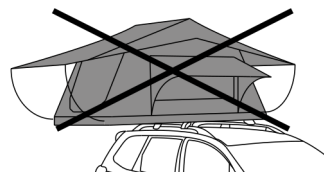
ROOF BAR  
DYNAMIC  
MAX WEIGHT  
LOAD 75 KG

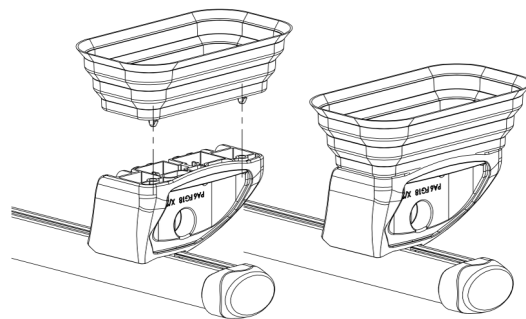
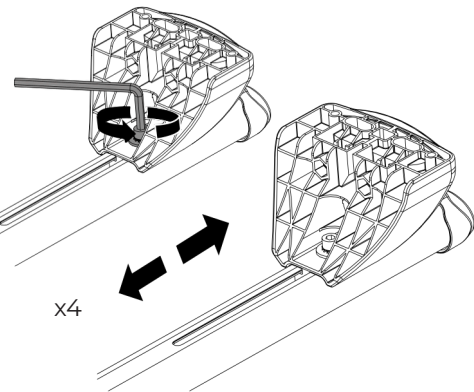
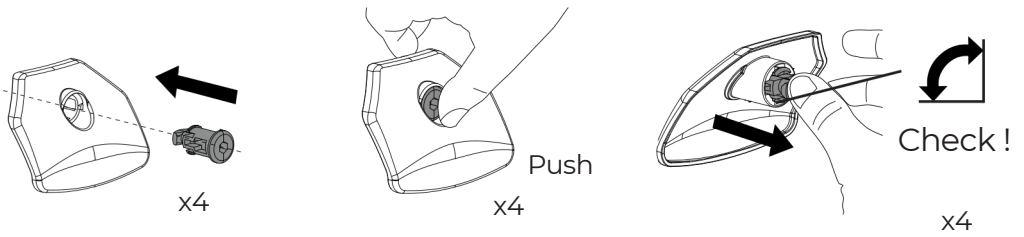
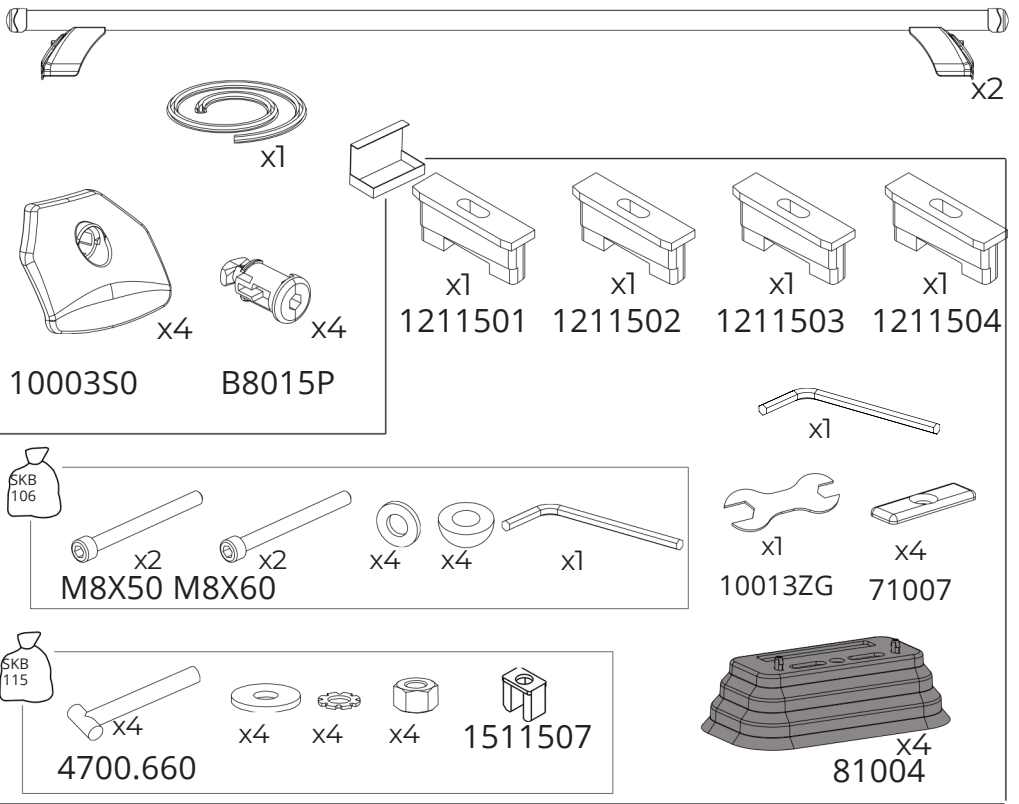
Brand & Model



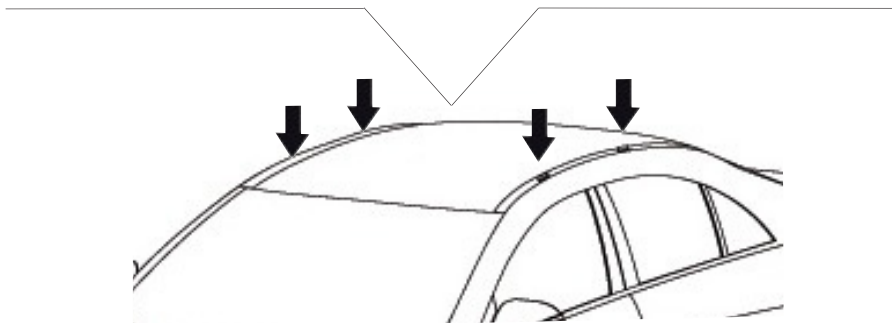
MERCEDES A CLASS (W176)	5	2012->2018
MERCEDES A CLASS (W177)	5	2018->
MERCEDES B CLASS (W246)	5	2011->2018
MERCEDES B CLASS (W247)	5	2019->
MERCEDES C CLASS (W204)	4	2007->2013
MERCEDES C CLASS (W205)	4	2014->2022
MERCEDES C CLASS Coupè (C204)	2	2011->2015
MERCEDES C CLASS Coupè (C205)	2	2016->2022
MERCEDES CLA (C117)	4	2013->2019
MERCEDES CLA (C118)	4	2015->2019
MERCEDES CLA Shooting Brake (X117)	5	2019->
MERCEDES CLA Shooting Brake (X118)	5	2019->
MERCEDES E CLASS (W212)	4	2009->2016
MERCEDES E CLASS Coupè (Z/ C207)	2	2009->2016

We do not recommend the use of rooftop tents with these roof bars



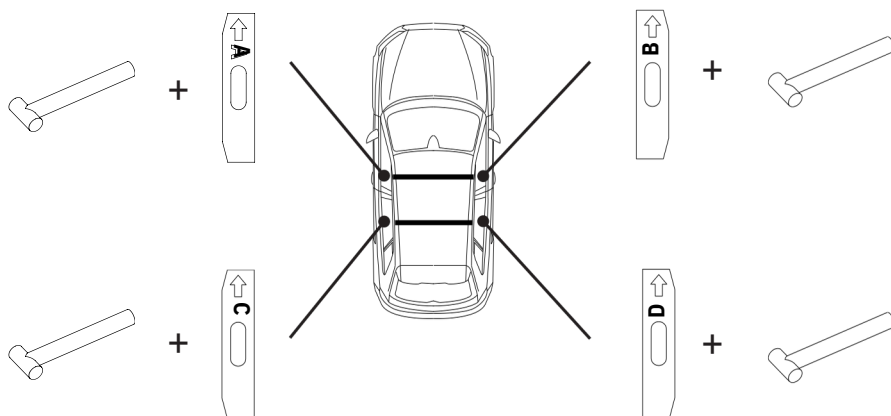


You must ensure that your fix point mounting locations are clean & free from debris, before you fit these roof bars.



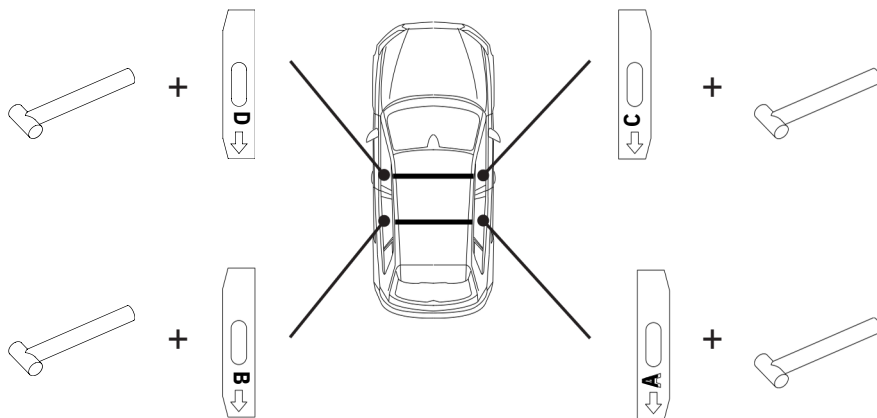
### CONFIG. 1

MERCEDES CLA Shooting Brake (X118) CLASSE A (W176 / W177), CLASSE B (W246 / W247)



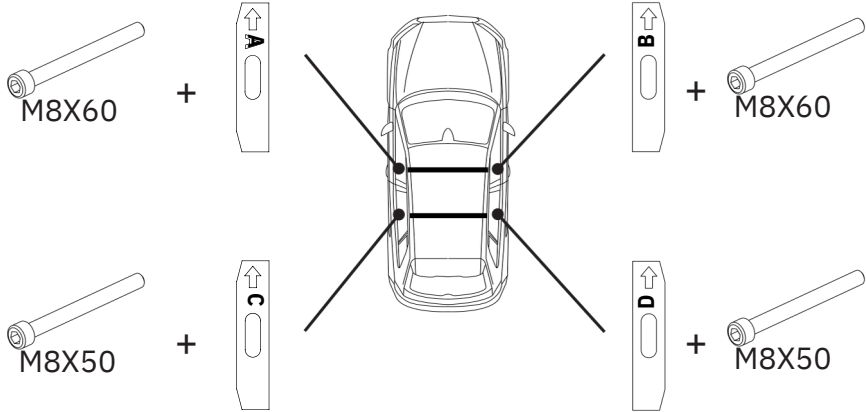
### CONFIG. 2

MERCEDES CLA (C117/C118)- MERCEDES CLA SHOOTING BRAKE (X117),



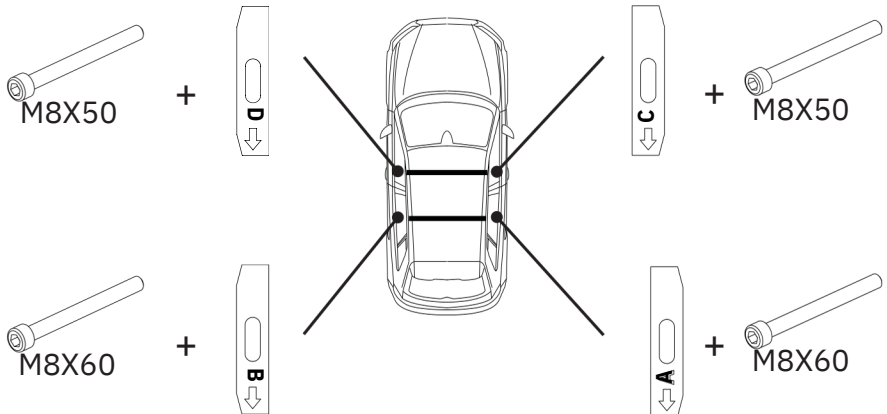
### CONFIG. 3

MERCEDES CLASSE C (W204 / W205) - MERCEDES CLASSE E (W212)

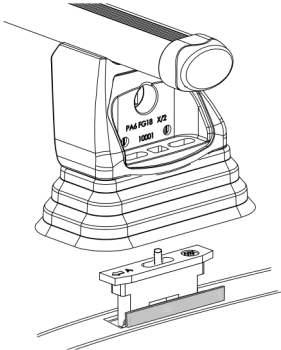
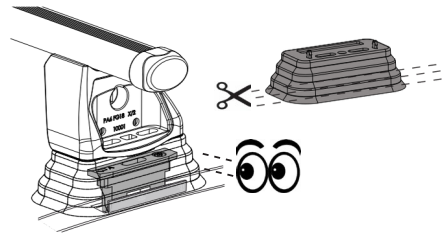
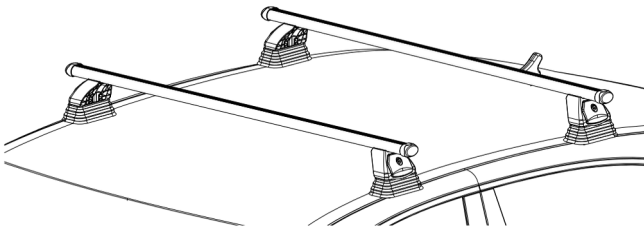


### CONFIG. 4

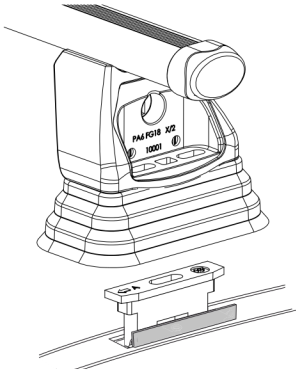
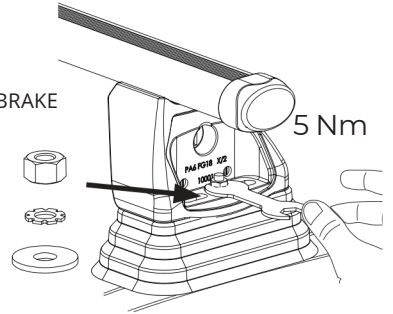
MERCEDES CLASSE C Coupè (C204 / C205) - MERCEDES CLASSE E Coupè (C207)



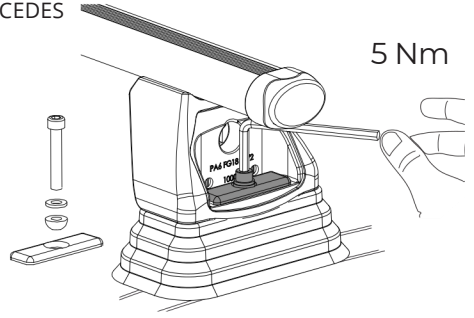
**You must follow the specific fitment configuration for your vehicle.**



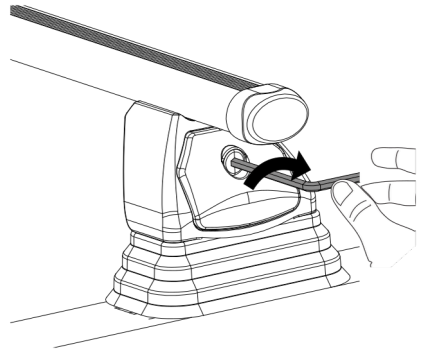
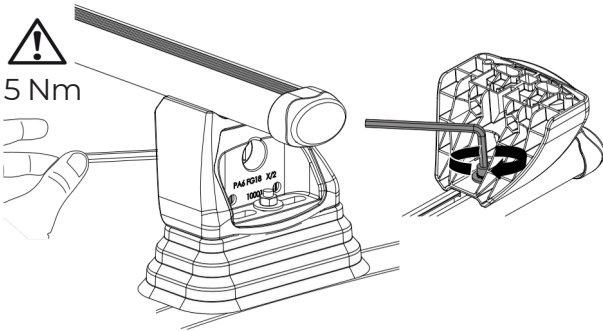
Specific for  
 MERCEDES CLASSE A  
 MERCEDES CLA  
 MERCEDES CLA SHOOTING BRAKE



Specific for MERCEDES  
 CLASSE C coupé MERCEDES  
 CLASSE E coupé

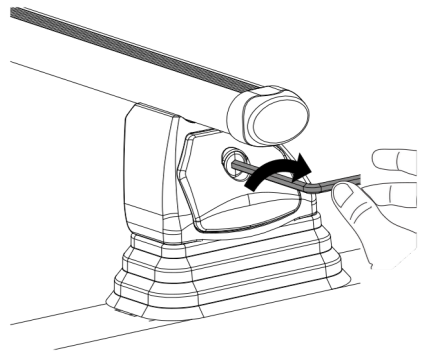
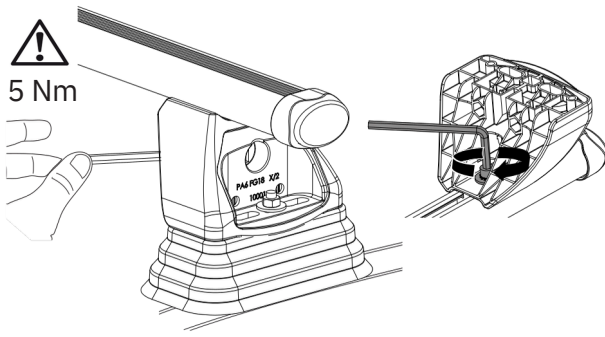


5 Nm





5 Nm



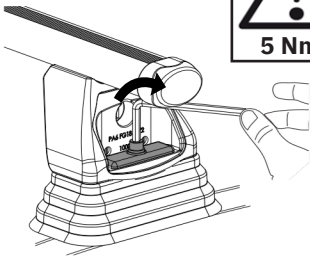
10 Km

100 Km

500 Km

1000 Km

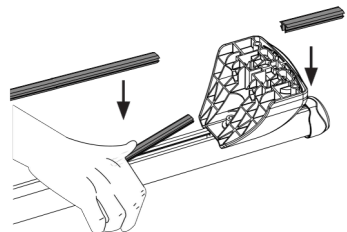
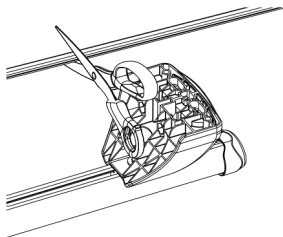
**CHECK!**



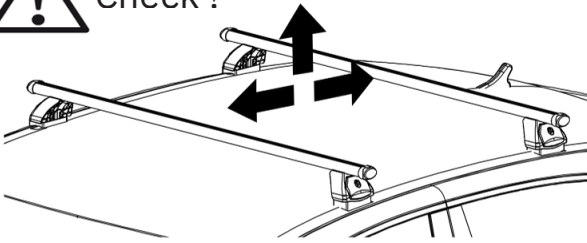
You must regularly check that your roof bars are secured to the correct Nm. We strongly recommend that you check & retighten your roof bars after the initial fitting, after adding & securing a load, before and during your journey.

**It is your responsibility to ensure that your roof bars & any roof load are correctly & securely fitted to your vehicle.**

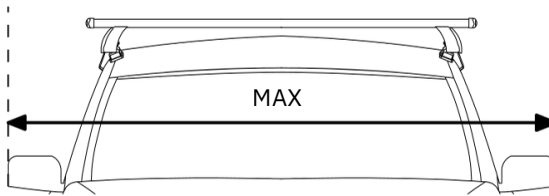
Inserting the lower rubber strip will reduce noise whilst driving. After you have fitted your roof bars you can trim the rubber to size, as shown below.

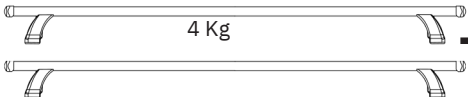



 Check !





 MAX  
75Kg

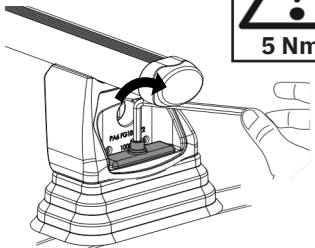


 4 Kg +  xx Kg = Max 75 kg

**Check the vehicle handbook for the maximum permitted load. If the vehicle handbook states lower than 75kg, that must be observed, if more than 75kg the bar maximum dynamic weight must not be exceeded.**

**CHECK!** 

 5 Nm



You must regularly check that your roof bars are secured to the correct Nm. We strongly recommend that you check & retighten your roof bars after the initial fitting, after adding & securing a load, before and during your journey.

**It is your responsibility to ensure that your roof bars & any roof load are correctly & securely fitted to your vehicle.**

## Installation Notes:

- Fit the roof bars according to these instructions only. Do not assemble or use this product unless you have understood the fitting instructions. Check that all the necessary parts are included. • Check and make sure that all fastening parts are fixed securely. Please check also that the load is fastened properly by pushing and pulling it. Recheck regularly as recommended in these instructions.

### Important Safety Notes:

- Please retain these instructions future reference.
- The maximum dynamic load evenly distributed over the full width of the bar with a low centre of gravity is 75kg (including the weight of the bars; approx. 4kg). Check the vehicle handbook for the maximum permitted load. If the vehicle hand book states a maximum of less than 75kg, then that is the maximum permissible load. If the vehicle handbook states a maximum heavier than 75kg, the maximum dynamic load for these roof bars is still 75kg - and this must not be exceeded.
- It is your responsibility to ensure that all loads are correctly and safely secured using suitable fixing methods (e.g. strong webbing straps with buckles). Where specialised accessories are available, they should be used (e.g. Cycle Carriers, Ski Holders, etc). If small heavy loads are being carried, load to one side of the bar, not the middle. **Never attach any loads to any roof bars using bungee cords or elasticated straps.**
- Before driving and at regular intervals during your journey, check that all securing screws, clamping devices and foot attachments are fully tightened, in accordance with these instructions. Additionally ensure the load is fastened correctly. We recommend a short test drive immediately after fitting any loads, you must then check & if required retighten your roof bars & any load.
- After covering a short distance, all securing devices of both the load and the roof bars must be checked and tightened as required. This needs to be repeated at regular intervals as recommended in these instructions.
- To prevent damage or discolouration to the paint under the foot pack rubber, we recommend cleaning the roof bar feet and the vehicle roof prior to fitment. The roof bars should be removed when not in use.
- Neither the roof bars or the load should project beyond the maximum profile of the vehicle.
- Take care not to drive into low places such as garages or multi-storey carparks when carrying a high load, particularly cycles. Do not drive through an automatic car wash with the roof bars mounted on the vehicle. **When carrying long loads take care when opening the boot to not hit the boot lid onto the load.**

- Please note that some antennas can interfere with roof bars or loads when installed and should be removed, where possible.
- Sunroofs should not be used when roof bars are fitted.
- Follow the instructions thoroughly and do not jump ahead in the sequence (1,2,3, A,B,C... etc).
- **It is your responsibility to ensure that your roof bars & any loads are correctly & securely fitted to your vehicle.**

- Using the bars, especially when carrying a load, will affect the driving and braking characteristics of your car. Larger roof loads may also affect your car's sensitivity to cross winds. For safety reasons, the vehicle must not be driven at maximum speeds. Speed should be matched to the load being transported, to prevailing conditions including the state of the road, the quality of the road surface, the volume of traffic, etc., and of course any speed restrictions in force. We recommend a maximum speed of 65 mph, but the vehicle speed when transporting a load of any kind must be matched to the prevailing conditions.
- Surfboards, boats and large flat objects may produce damaging aerodynamic forces to the vehicle. We therefore recommend travelling at much reduced speed when carrying these articles. **Where two or more surfboards are carried (or similar items which may produce lifting forces) they should not be carried side by side, but should be stacked one upon the other. All long, flat objects should be secured independently to the front and rear of the vehicle using straps which are capable of withstanding the lifting forces - do not use bungee cords or elasticated straps.**
- **When carrying kayaks or canoes ensure that they are secured to the bars and also the front and rear of the vehicle in the upright position.**
- If you are using these roof bars during the winter months, they must be kept clean and properly maintained, all dirt and salt must be removed. Bolts, screws and nuts should be lubricated at regular intervals, the periodic use of a spray lubricant will keep any lock barrels working freely.
- Always fit the roof bars in accordance with these instructions. The spacing between the front and rear bars must never be less than 700 mm, except where the vehicle mountings determine the spacing. **IMPORTANT:** These roof bars are specifically designed for your car model. Please therefore check which roof bar is needed when changing your car. Do not use spare parts from other products.

**The manufacturer takes no responsibility for damage caused by an incorrectly fitted roof bar.**



Made in Italy by  
 GVI SRL,  
 Via Torino 101 Fossano (CN) - Italy  
 On behalf of  
 Mountney Ltd  
 MXL Centre, 6 Lombard Way, Banbury, OX16 4TJ, UK  
 www.mountneyltd.com

EU Rep.  
 Authorised Rep Compliance Ltd.,  
 Ground Floor, 71 Lower Baggot  
 Street, Dublin, D02 P593, Ireland.  
 www.arc.compliance.com