



SUMMIT

SUP-A022



ROOF BAR
DYNAMIC
MAX WEIGHT
LOAD 75 KG

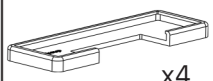
Brand & Model		
CITROEN Berlingo including Multispace & Top	5	1996->2008
CITROEN Xsara Picasso	5	1999->2010
PEUGEOT Ranch	5	1996->2008

Roof bar images are for illustration purposes only.





1000500 x4



71003 x4



x2



x1
1



x4

2402227



x4



x4

10002S0

B8015P



x4

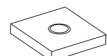
M6X45



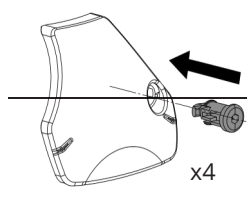
x4



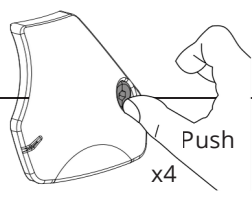
x1



x4

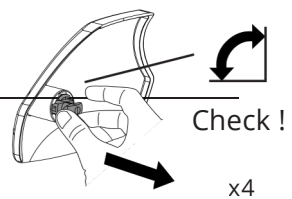


x4



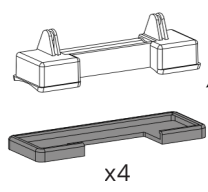
x4

Push

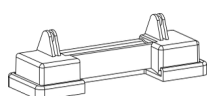


Check !

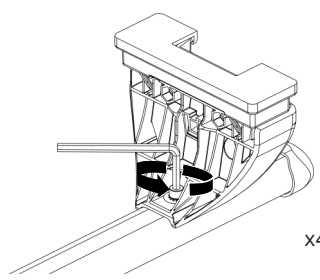
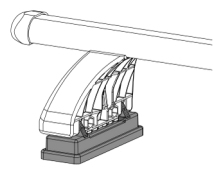
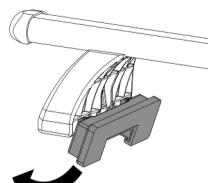
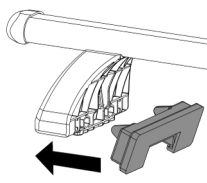
x4



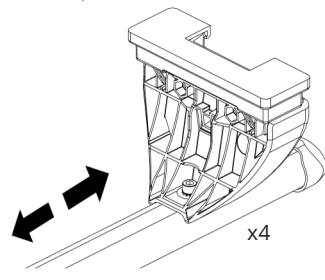
x4



x4

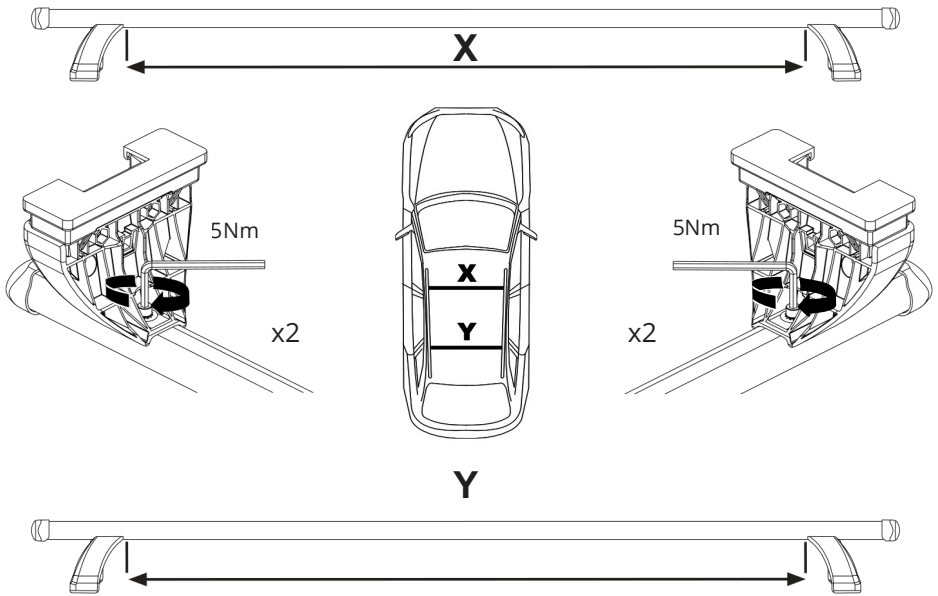


x4



x4

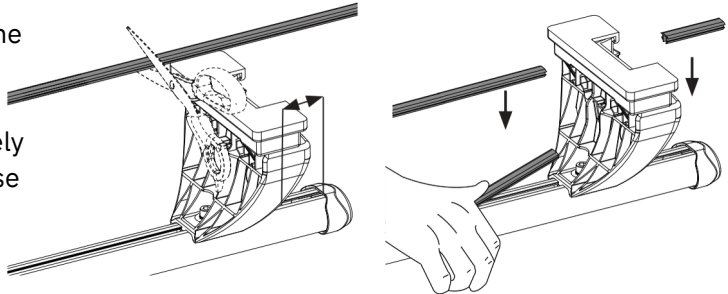
You must follow the measurements indicated in this table for your vehicle. Failure to follow these measurements will result in incorrect fitment of your roof bars, which will invalidate your warranty.



BRAND	MODEL	YEAR	DOOR	X	Y
CITROEN	Berlingo	96->08	3 + VAN	94,5 cm	94,5 cm
CITROEN	Xsara Picasso	99->10	5	93 cm	92 cm
PEUGEOT	Ranch	96->08	3 + VAN	94,5 cm	94,5 cm

Measure the gaps around the feet and carefully cut the weather strip to size.

Tip: try to cut this as precisely as possible, to stop any noise from wind.



X measurement: Position of the feet on the front bar - you need the front of the feet to line up to this measurement.

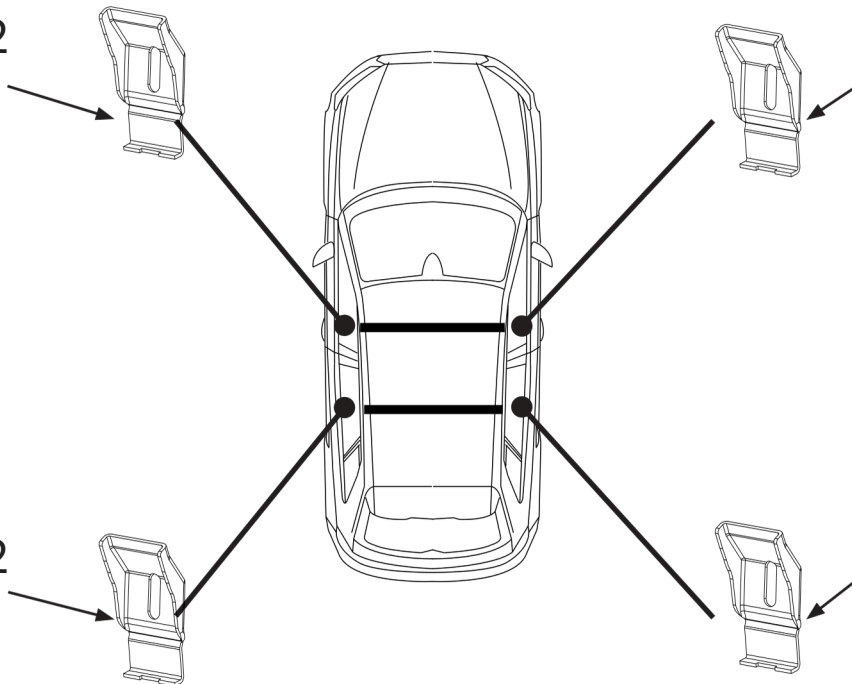
Y measurement: Position of the feet on the rear bar - you need the front of the feet to line up to this measurement.

A measurement: Position of the front bar feet on the roof, measured from the centre of the A pillar to the centre of the roof bar foot.

B measurement: Position of the rear bar feet on the roof, measured from the centre of the front roof bar foot to the centre of the rear roof bar foot.

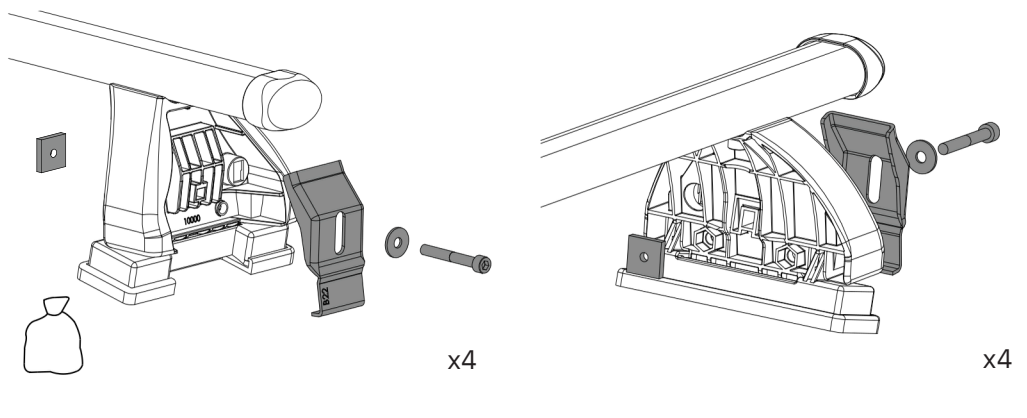
B22

B22



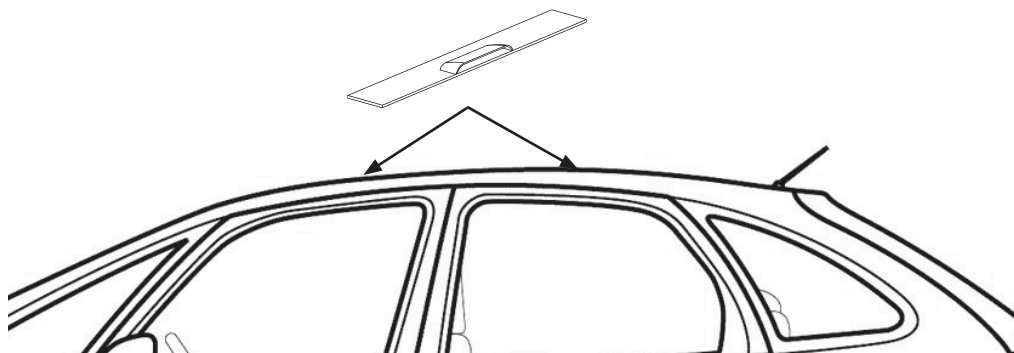
B22

B22

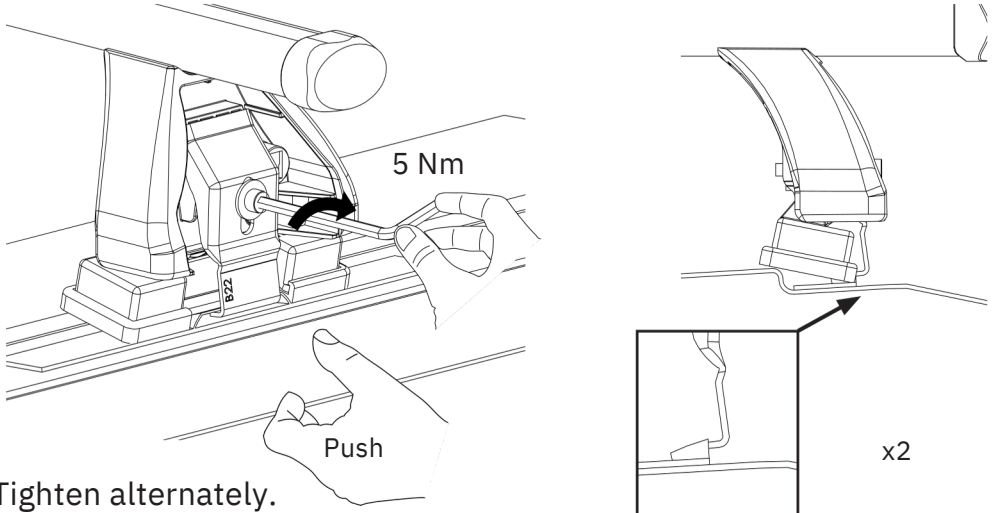
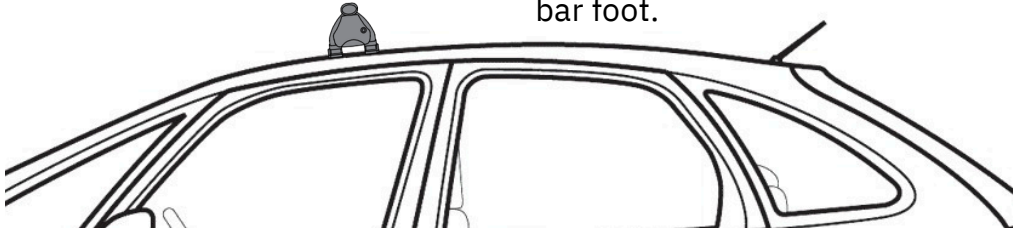


x4

x4



Front bar: Measure from the middle of the A pillar to the centre of the roof bar foot.

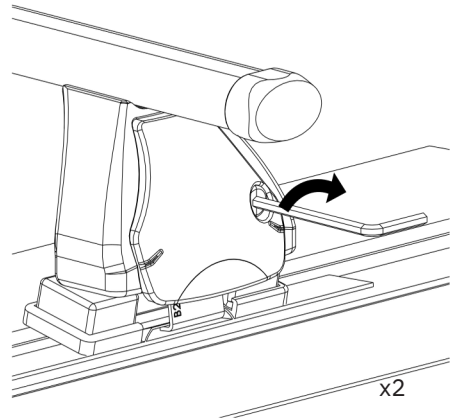
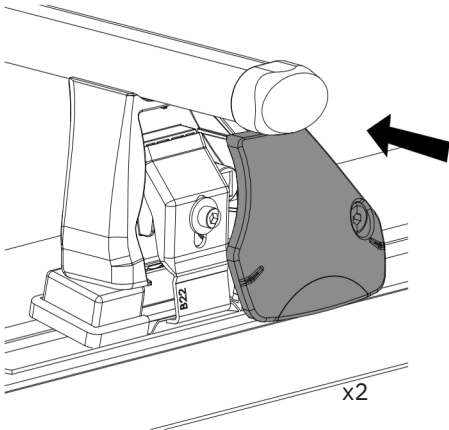


Tighten alternately.

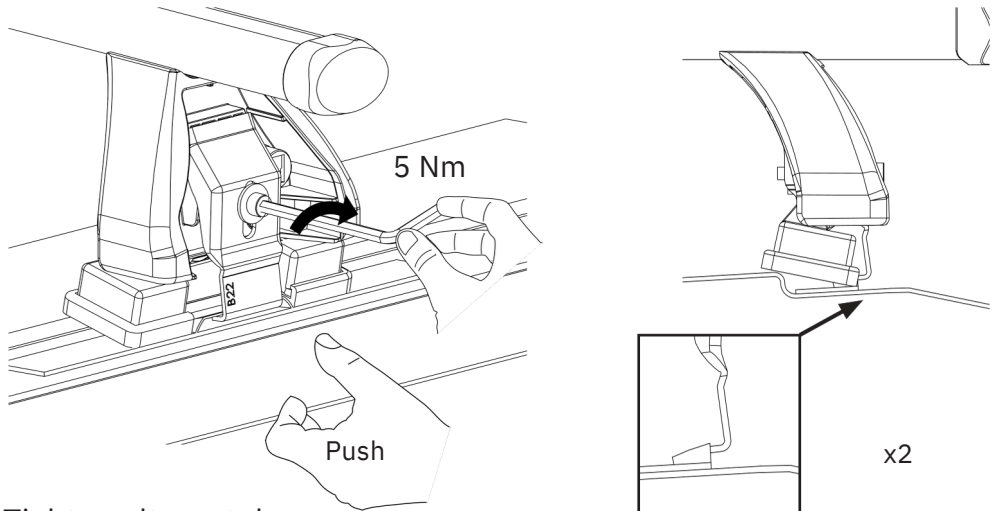
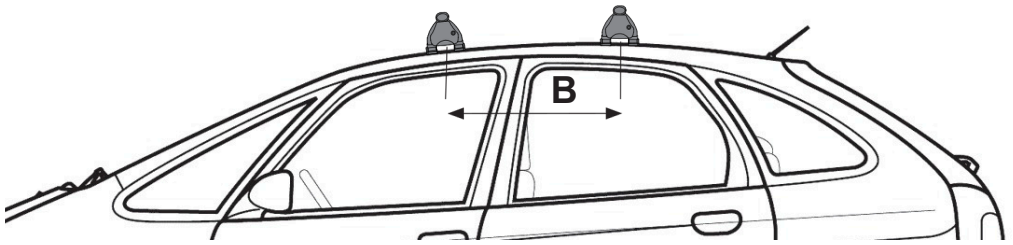
10 Km 100 Km 500 Km 1000 Km



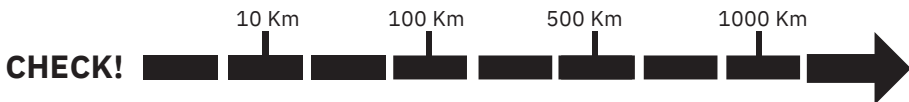
You must regularly check that your roof bars are secured to the correct Nm. We strongly recommend that you check & retighten your roof bars after the initial fitting, after adding & securing a load, before and during your journey.



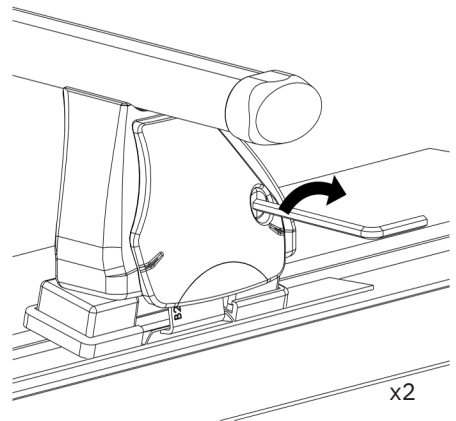
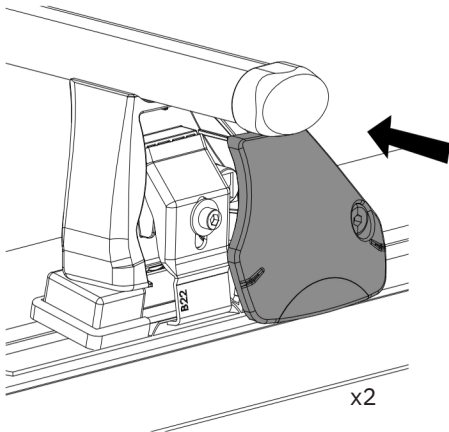
Rear bar: Measure from the centre of the roof bar feet.

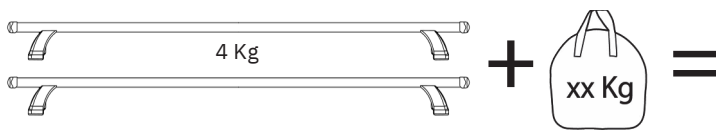
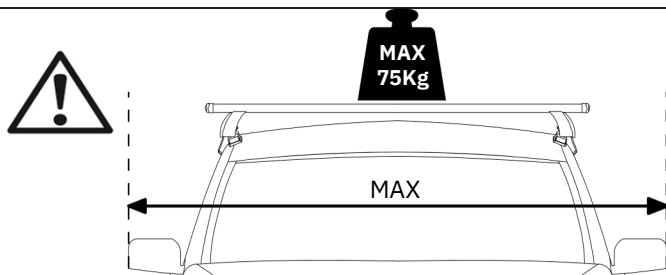
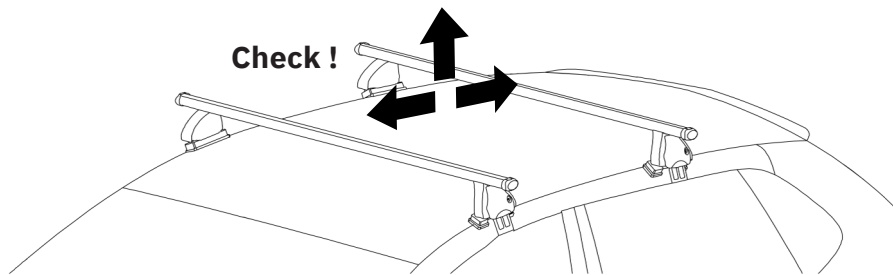


Tighten alternately.




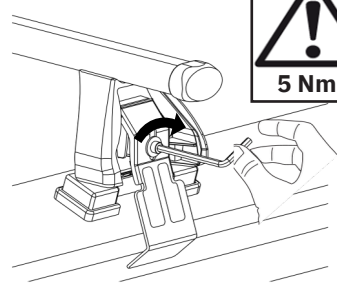

You must regularly check that your roof bars are secured to the correct Nm. We strongly recommend that you check & retighten your roof bars after the initial fitting, after adding & securing a load, before and during your journey.





Check the vehicle handbook for the maximum permitted load. If the vehicle handbook states lower than 75kg, that must be observed, if more than 75kg the bar maximum dynamic weight must not be exceeded.

CHECK! 10 Km 100 Km 500 Km



You must regularly check that your roof bars are secured to the correct Nm. We strongly recommend that you check & retighten your roof bars after the initial fitting, after adding & securing a load, before and during your journey.

It is your responsibility to ensure that your roof bars & any roof load are correctly & securely fitted to your vehicle.

Installation Notes:

- Fit the roof bars according to these instructions only. Do not assemble or use this product unless you have understood the fitting instructions. Check that all the necessary parts are included.
- Check and make sure that all fastening parts are fixed securely. Please check also that the load is fastened properly by pushing and pulling it. Recheck regularly as recommended in these instructions.

Important Safety Notes:

- Please retain these instructions future reference.
- The maximum dynamic load evenly distributed over the full width of the bar with a low centre of gravity is 75kg (including the weight of the bars; approx. 4kg). Check the vehicle handbook for the maximum permitted load. If the vehicle hand book states a maximum of less than 75kg, then that is the maximum permissible load. If the vehicle handbook states a maximum heavier than 75kg, the maximum dynamic load for these roof bars is still 75kg - and this must not be exceeded.
- It is your responsibility to ensure that all loads are correctly and safely secured using suitable fixing methods (e.g. strong webbing straps with buckles). Where specialised accessories are available, they should be used (e.g. Cycle Carriers, Ski Holders, etc). If small heavy loads are being carried, load to one side of the bar, not the middle. **Never attach any loads to any roof bars using bungee cords or elasticated straps.**
- Before driving and at regular intervals during your journey, check that all securing screws, clamping devices and foot attachments are fully tightened, in accordance with these instructions. Additionally ensure the load is fastened correctly. We recommend a short test drive immediately after fitting any loads, you must then check & if required retighten your roof bars & any load.
- After covering a short distance, all securing devices of both the load and the roof bars must be checked and tightened as required. This needs to be repeated at regular intervals as recommended in these instructions.
- To prevent damage or discolouration to the paint under the foot pack rubber, we recommend cleaning the roof bar feet and the vehicle roof prior to fitment. The roof bars should be removed when not in use.
- Neither the roof bars or the load should project beyond the maximum profile of the vehicle.
- Take care not to drive into low places such as garages or multi-storey car parks when carrying a high load, particularly cycles. Do not drive through an automatic car wash with the roof bars mounted on the vehicle. **When carrying long loads take care when opening the boot to not hit the boot lid onto the load.**

- Please note that some antennas can interfere with roof bars or loads when installed and should be removed, where possible.
- Sunroofs should not be used when roof bars are fitted.
- Follow the instructions thoroughly and do not jump ahead in the sequence (1,2,3, A,B,C... etc).
- **It is your responsibility to ensure that your roof bars & any loads are correctly & securely fitted to your vehicle.**

• Using the bars, especially when carrying a load, will affect the driving and braking characteristics of your car. Larger roof loads may also affect your car's sensitivity to cross winds. For safety reasons, the vehicle must not be driven at maximum speeds. Speed should be matched to the load being transported, to prevailing conditions including the state of the road, the quality of the road surface, the volume of traffic, etc., and of course any speed restrictions in force. We recommend a maximum speed of 65 mph, but the vehicle speed when transporting a load of any kind must be matched to the prevailing conditions.

• Surfboards, boats and large flat objects may produce damaging aerodynamic forces to the vehicle. We therefore recommend travelling at much reduced speed when carrying these articles.

Where two or more surfboards are carried (or similar items which may produce lifting forces) they should not be carried side by side, but should be stacked one upon the other. All long, flat objects should be secured independently to the front and rear of the vehicle using straps which are capable of withstanding the lifting forces - do not use bungee cords or elasticated straps.

• **When carrying kayaks or canoes ensure that they are secured to the bars and also the front and rear of the vehicle in the upright position.**

• If you are using these roof bars during the winter months, they must be kept clean and properly maintained, all dirt and salt must be removed. Bolts, screws and nuts should be lubricated at regular intervals, the periodic use of a spray lubricant will keep any lock barrels working freely.

• Always fit the roof bars in accordance with these instructions. The spacing between the front and rear bars must never be less than 700 mm, except where the vehicle mountings determine the spacing.

IMPORTANT: These roof bars are specifically designed for your car model. Please therefore check which roof bar is needed when changing your car.

Do not use spare parts from other products.

The manufacturer takes no responsibility for damage caused by an incorrectly fitted roof bar.



Made in Italy by
Aurilis Group Italia SRL,
Via Torino 101 Fossano (CN) - Italy
On behalf of
Mountney Ltd
MXL Centre, 6 Lombard Way, Banbury, OX16 4TJ, UK
www.mountneyltd.com

EU Rep.
Authorised Rep Compliance Ltd., Ground
Floor, 71 Lower Baggot Street, Dublin,
D02 P593, Ireland.
www.arcompliance.com